

Lean Adaptor Pallet Next Generation



copyright K. Hartwall

Logistics Efficiency through Innovation

LEANPRODUCTS®

www.LeanProducts.eu Lean Manufacturing Solutions

K.HARTWALL

Lean Adaptor Pallet Next Generation

Giving you additional Value

- Optimised handling and longer Life Span
- Improved Safety
- Lower transport costs and better sustainability
- Short Product specification



**Covered by patent and
design registration**



copyright K. Hartwall

LEANPRODUCTS®

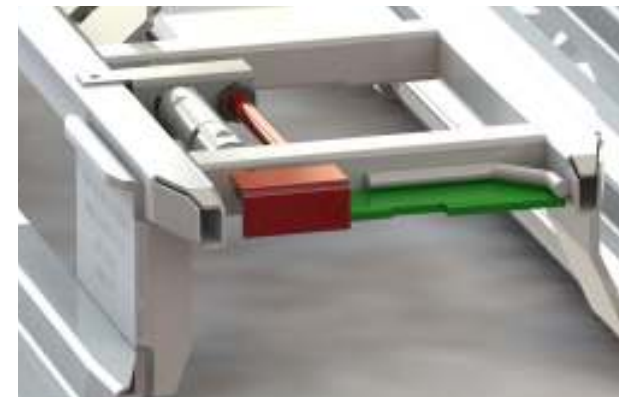
www.LeanProducts.eu Lean Manufacturing Solutions

K.HARTWALL

Improved Handling and Longer life Span

- Improved guidance to roll in Dollies. This widens the use of all Dollies together with the Adaptor Pallet
- Lock mechanism easily recognizable even from a distance
- More durable unit
- At the same time, lighter unit easier to operate

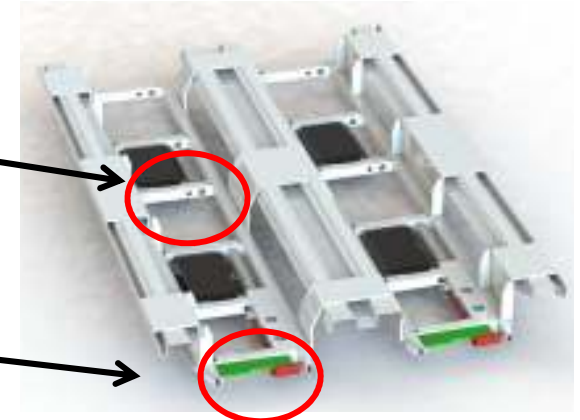
- Faster and easier handling
- Less accidents
- Less maintenance costs and fast ROIc



copyright K. Hartwall

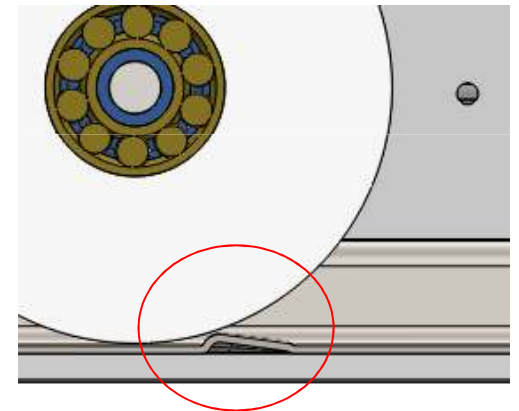
Improved Safety

- Optimum materials for strong design but light weight
- Stop at rear for distinct dolly positioning
- Friction mats as an option for handling of the Adaptor Pallet with forklifts
- Painted brakes for better visibility
- Wheel bumps to prevent first dolly to roll off from the adaptor pallet



Dolly stop at rear

- Safer and faster operations
- Less accidents
- Less maintenance costs



copyright K. Hartwall

Lower transport costs and better sustainability

- Material selections optimized for best in class weight performance ratio.
 - Weight of the Adaptor pallet Next Generation is **39 kg**
- Less fuel consumption and emissions
 - Example: Over a distance of 100km, 1 ton weight difference means 0,43 litre of difference in fuel consumption
(Ref. Goodyear testing data)
 - 6 kg lighter unit : for a truck with 570 empty adaptor pallets
Light in return logistics
= 1470 litres saving per 100 000km
- Improved stackability for more efficient return transport and warehousing

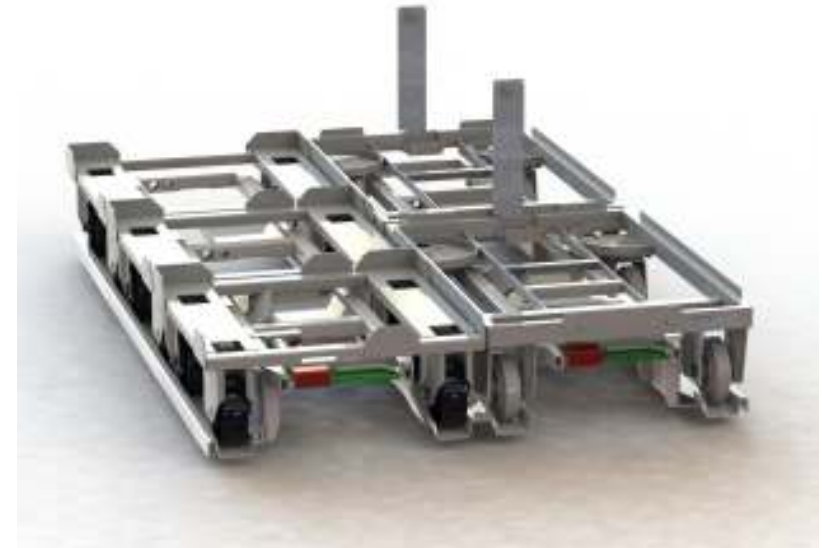
- Lower operational costs
- Faster rotation



copyright K. Hartwall

Short Product specification

- Size is 1218 x 800 mm
- Suitable for the following dolly sizes or a mix of them:
 - Lean Dolly 600x400, 4 per pallet
 - Lean Dolly 600x800, 2 per pallet
 - Lean Dolly 400x400, 6 per pallet
- Tare weight: 39 kg (**old model was 18% heavier**)
- Stackable in return transport ca. 570 pcs/truck
- Options:
 - a. Friction Mat
 - b. RFID tag
- Not stackable with old adaptor pallet model?



2 Lean dollies 600x400mm + 3 Lean Dollies 400x400mm on an Adaptor Pallet NG

copyright K. Hartwall